

Product Name

GmT

(Integrated driver)

Technical description

GmT is a Led appliance designed and built to be the ideal lighting solution for tunnel and underpasses where high performance is required. Lower body in die-cast aluminum alloy UNI EN 1706 (Low copper content), double painting with polyester powder resistant to the salt fog. Upper body in extruded aluminum, anodised. Screws made of AISI 304 stainless steel. Tempered glass sodium-calcium type, 5 mm thickness, 91% transparency is guaranteed. Silicone gaskets. LED light source (lumileds), colour temperature (4000 K Neutral White). High coefficient of performance chromatic CRI≥70-80. Optic optical PC.

Supply

Integrated driver, DALI communication, External NTC interface temperature control
 Input voltage 220 - 240 V AC 50/60 Hz.
 Temperature -40° +45°

Installation

Wall and ceiling

Applications

Tunnel, Underpasses

Size (mm)

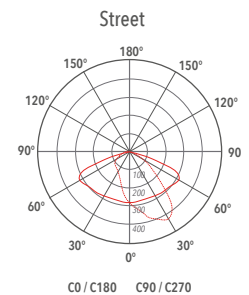
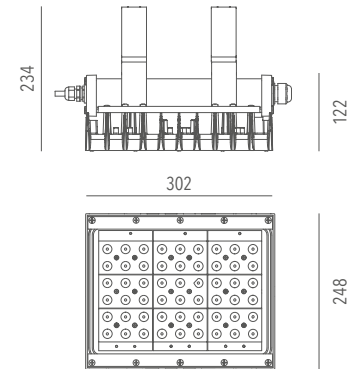
302 x 248 x 234

Colour

Dark grey **4**

Decay of the luminous flux

≥100.000 hr L90B10



| Code | Source | Power | Lm (Output) | Lm (Tc=25°) | Temperature | CRI | Beams | Colour | Control |
|-------------------------|--------|-------|-------------|-------------|-------------|--------|-------|-----------|---------|
| LOGMT40H4DA40100 | LED | 100 W | 13500 lm | 16000 lm | 4000 K | ≥70-80 | H4 | Dark grey | DALI |

Accessories



Connection kit for slotted cable trays 100 mm
 LKITA000000000007



Connection kit for slotted cable trays 200 mm
 LKITA000000000008



Connection kit for slotted cable trays 300 mm
 LKITA000000000009

Lanzini indicates the luminous flux of the luminaire in the catalogs with a tolerance of ± 10% respect to the indicated value. The total W indicates the total power absorbed by the LED + power supply system that does not exceed 10% of the indicated value.