

Product Name

Brixia L

Technical description

Body and pole connection in die-cast aluminum alloy UNI EN 1706 (Low copper content), double painting with polyester powder resistant to the salt fog. Stainless steel screws AISI 304. Tempered sodium-calcic glass, 5 mm thick. Guaranteed 91% transparency. Expanded silicone gaskets. LED light source, colour temperature (4000 K Neutral White). High coefficient of performance chromatic CRI≥70. PCO optics.

Supply

The driver used offers the best performance, reliability and configuration options in road areas. Available on request Dimmer and DALI version. Voltage 220-240 VAC 50 / 60Hz. Operating temperature -40°+50° Surge protection device: Integrated SPD, 10kV-10kA

Installation

Can be installed with a pole-top or lateral mounting, from 42 mm to 60 mm diameter pole. Inclination Pole head 0° - 5° - 10° - 15° - 20°.

Control System

- ON-OFF:** fixed non-dimmable
- MV:** Automatic dimming (virtual midnight) with default profile
- CLO:** constant luminous flux
- DALI:** DALI 2 digital dimmer interface
- DI:** 1-10V analogue dimmer interface
- NEMA:** possibility to apply NEMA IP66 connector
- ZHAGA:** possibility to apply ZHAGA connector

Life

≥100.000 hr L90B10 / ≥ 110.000hr TM21-L70

Applications

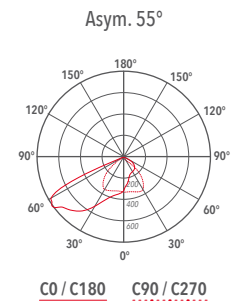
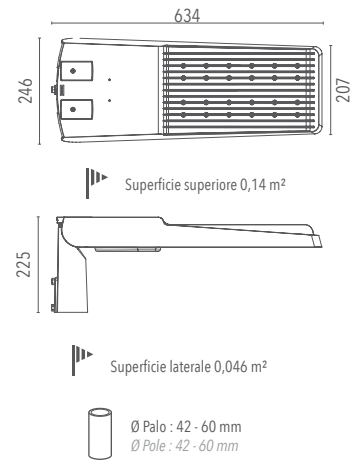
Car parks, street, pedestrian areas

Size (mm)

634x246x225

Colour

Dark grey 4



| Code | Source | Power | Lm (Output) | Lm (Tc=25°) | Temperature | CRI | Beams | Colour | Control |
|-------------------------|--------|-------|-------------|-------------|-------------|-----|-------|-----------|---------|
| LOBXL4AH3BL40120 | LED | 120 W | 20281 lm | 21120 lm | 4000 K | ≥70 | H3 | Dark grey | - |
| LOBXL4AH3DI40120 | LED | 120 W | 20281 lm | 21120 lm | 4000 K | ≥70 | H3 | Dark grey | Dimmer |
| LOBXL4AH3DA40120 | LED | 120 W | 20281 lm | 21120 lm | 4000 K | ≥70 | H3 | Dark grey | DALI |

Accessories



Lanzini indicates the luminous flux of the luminaire in the catalogs with a tolerance of ± 10% respect to the indicated value. The total W indicates the total power absorbed by the LED + power supply system that does not exceed 10% of the indicated value.