

Product Name

S2

Technical description

Variation in size of S1 version, this fitting made in die-cast aluminium, throw new light on the city with its 192 LEDs. S2 highlights and describes the urban environment using its minimalist lines revealing its full potential. Body and pole connection in die-cast aluminum alloy UNI EN 1706 (Low copper content) double painting with polyester powder resistant to the salt fog. Stainless steel screws AISI 304. Tempered sodium-calcic glass, 5 mm thick. Guaranteed a 91% transparency. Expanded silicone gaskets. LED light source (lumileds), colour temperature (4000 K Neutral White). High coefficient of performance chromatic CRI>80. PMMA optics.

Supply

The driver used offers the best performance, reliability and configuration options in road areas. Available on request DALI version. Voltage 220-240 VAC 50 / 60Hz. Operating temperature -40°+50°. Surge protection device: Integrated SPD, 10kV-10kA

Installation

Can be installed with a pole-top or lateral mounting, from 40 mm to 60 mm diameter pole. Inclination Pole head 0° - 5° - 10° - 15° - 20°.

Control System

- ON-OFF:** fixed non-dimmable
- MV:** Automatic dimming (virtual midnight) with default profile
- CLO:** constant luminous flux
- DALI:** DALI 2 digital dimmer interface
- DI:** 1-10V analogue dimmer interface
- NEMA:** possibility to apply the NEMA IP66 connector to apply compatible devices
- ZHAGA:** possibility to apply the ZHAGA connector to apply compatible devices

Life

≥100.000 hr L85B15 / ≥ 110.000hr TM21-L70

Applications

Parkings, roads, pedestrian areas.

Size (mm)

720x357x152

Colour

Dark grey 4

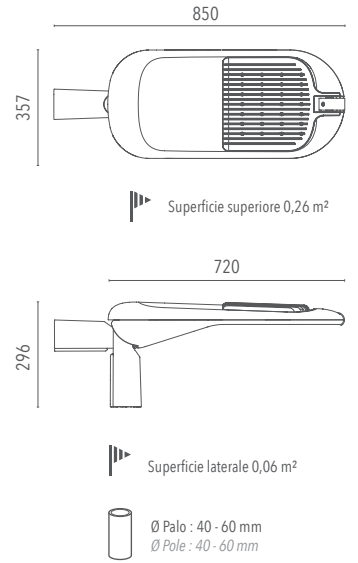


| Code | Source | Power | Lm (Output) | Lm (Tc=25°) | Temperature | CRI | Beams | Colour | Control |
|-------------------------|--------|-------|-------------|-------------|-------------|-----|-------|-----------|---------|
| L00S24AS6BL40120 | LED | 120 W | 14520 lm | 20520 lm | 4000 K | >70 | S6 | Dark grey | - |
| L00S24AS6DI40120 | LED | 120 W | 14520 lm | 20520 lm | 4000 K | >70 | S6 | Dark grey | Dimmer |
| L00S24AS6DA40120 | LED | 120 W | 14520 lm | 20520 lm | 4000 K | >70 | S6 | Dark grey | DALI |

Accessories



Lanzini indicates the luminous flux of the luminaire in the catalogs with a tolerance of ± 10% respect to the indicated value. The total W indicates the total power absorbed by the LED + power supply system that does not exceed 10% of the indicated value.



Secondary and urban suburban roads

